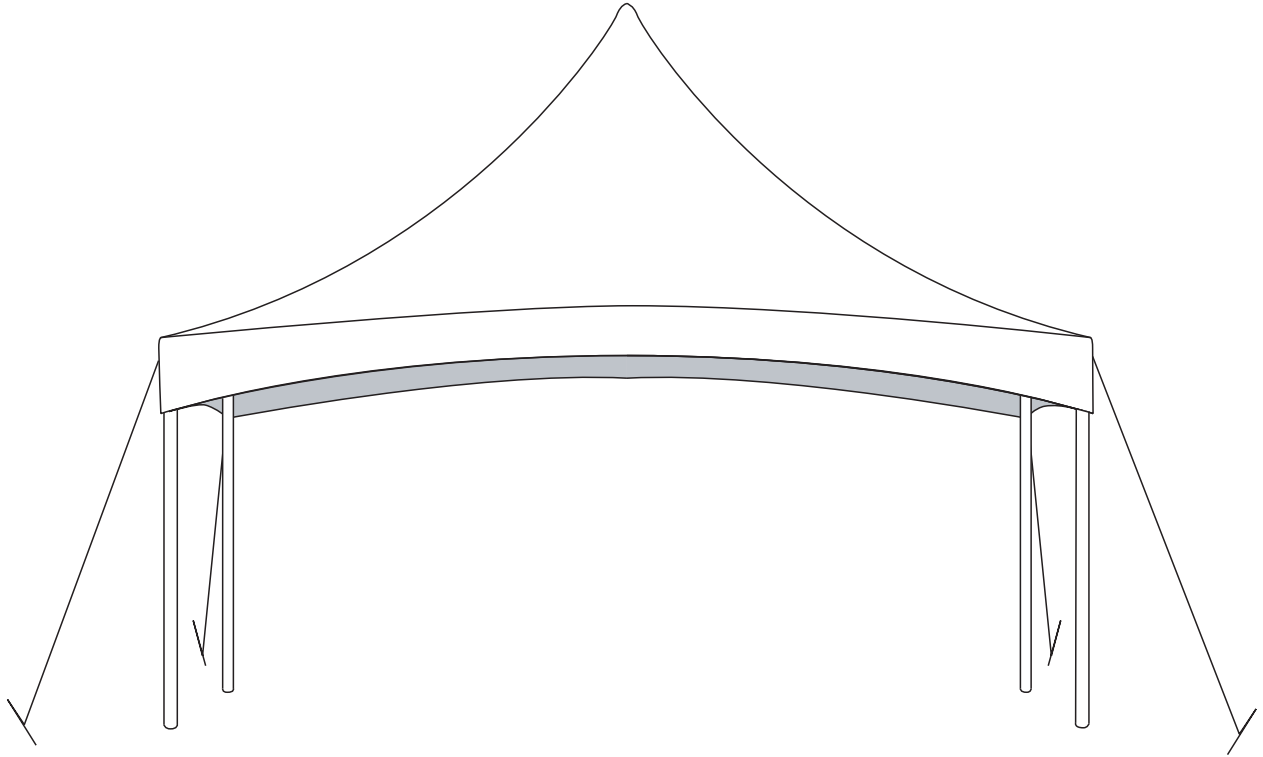


Installation Instructions



Sierra

10 x 10 - 15 x 15 - 20 x 20



TopTec Products, LLC
1073 Neely Ferry Road
Laurens, SC 29360
Phone: (800) 845-2830
Fax: (800) 921-7750
e-mail: sales@TopTecProducts.com
www.TopTecProducts.com

Form # 20000307
© 2000 TopTec

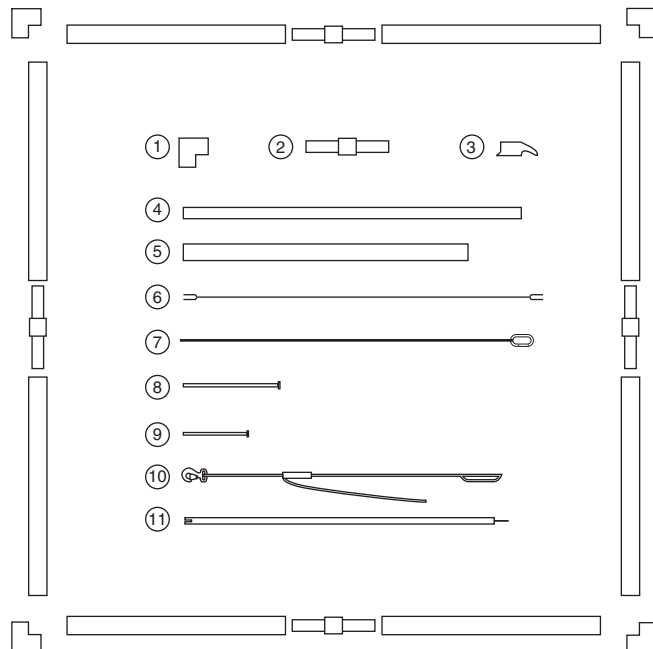
Installation Instructions

Item#	Description
1	Corner Bracket
2	Connector - Perimeter Pole*
3	Leg Base
4	Perimeter Pole
5	Leg Pole
6	Cross Cable
7	Rope and Snap
8	36" Nail Head Stake
9	24" Nail Head Stake
10	Cam Buckle and Strap
11	Center Pole

* 15 x 15 and 20 x 20 Only

MANPOWER REQUIRED

Two installers will be required to assemble a square Sierra Series tent. It should take approximately 30 minutes to do this install.



RECOMMENDED TOOLS AND EQUIPMENT

Personal Safety

- Gloves and Hard Hat.

Site Transport

- Hand Truck for Moving Components.

Frame Assembly

- Various wrenches and other types of tools (varies according to tent size).
- Tent jack for raising frame to install legs.
- Ladder - Minimum six (6) foot tall.

Stake Installation and Removal

- 1" capacity rotary hammer for drilling holes in pavement for stakes.
- An 8 to 16 pound sledge hammer.
- 24" Pipe Wrench for spinning stakes out of wet soil.
- Mechanical stake puller.

Top Installation

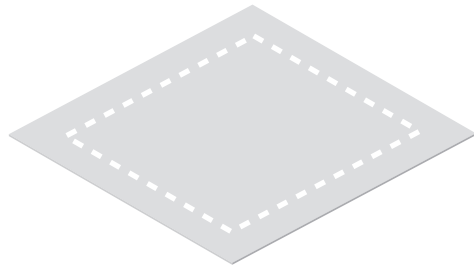
- Ground cloths to protect vinyl from dirt and abrasion.
- Cleaning supplies to remove any marks acquired during installation.



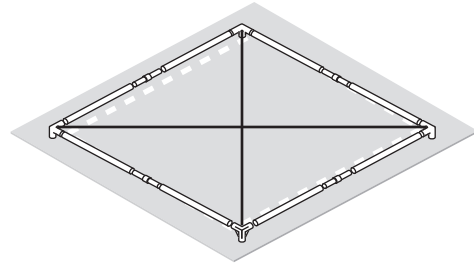
Please read these instructions in prior to assembly. Always be cautious of wind and weather conditions. Partially assembled tents are large sails in windy conditions. Always tie off frames.

Installation Instructions

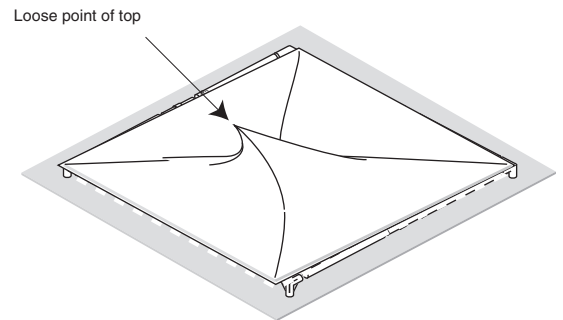
Step 1: Lay ground cover in desired area for tent installation.



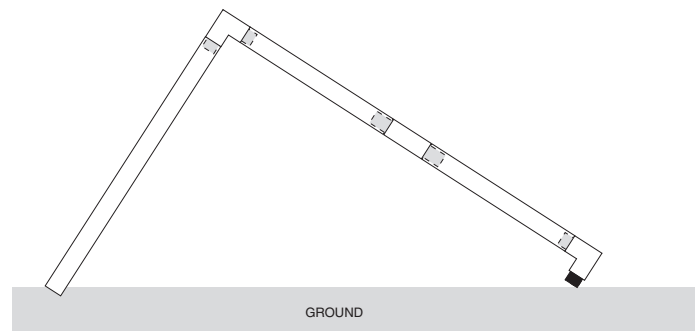
Step 2: Arrange corner brackets, perimeter poles, and connectors in the general configuration of the tent. Join the perimeter pieces making sure that all perimeter poles are of equal length (all legs must be kept separate from the perimeter framework). Install cables to opposite corners.



Step 3: Unroll top across frame making sure that the loose point is laying down on the outside of the tent top. Stretch the corner webbing loops over the cast eye on the outside of the corner brackets. The top is now pre-installed on the frame.

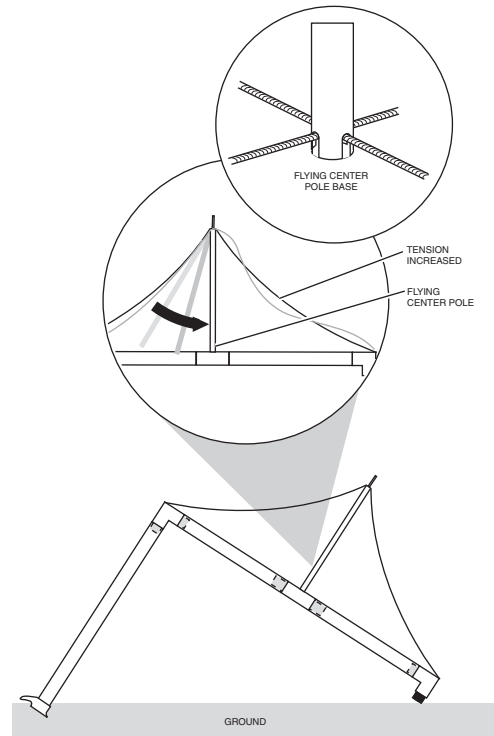
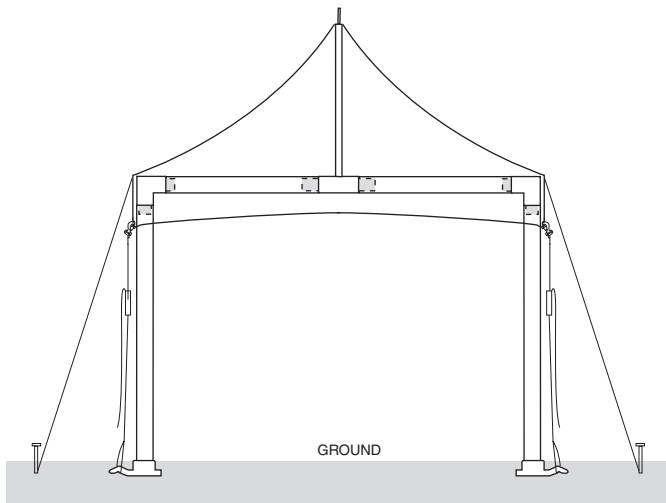


Step 4: Install any 2 adjacent legs by raising frame on one side. Install leg bases at this point making sure to point the tabs on the bases to the outside of the corner. Clip one end of the cam buckle to the ring on the corner of the tent top while looping the other end over the tab on the base. Pull snug.



Installation Instructions

Step 5: Install center pole by carefully inserting the pin end through the ring in the center of the tent top. Place the roller guide in the pole base on the top cable. Complete center pole installation by pushing center pole base toward the center of the frame until the 2nd cable can be placed in the notches in the center pole base.



Step 6: Install remaining 2 legs and bases by raising the frame and inserting the legs into the corner brackets. Attach cam buckles as before and pull them snug. Drive appropriate amount of stakes and attach out guys to the cast eye on each corner bracket. Pull top tight with the cam buckles. Fasten side release buckles (20 x 20 only) around perimeter poles. Inspect the flying center pole to make sure it is reasonably plumb.

Step 8: Installed Tent Inspection

1. Staking - Check all stakes for signs of movement.
2. Tensioning - Check all ropes/straps for proper tension and make sure that the tent top is set for proper drainage.
3. Poles - Check that all poles are properly aligned, securely tied and structurally sound.
4. Sidewalls - Check that they are properly secured as needed.
5. Special Considerations - Make sure that the installation is in compliance with all local building, fire and public safety codes.

Installation Instructions

Specifications:

Size L x W	Pitch	No. Legs	No. Ropes or Straps	No. Stakes	Leg Spacing	Leg Height	Overall Height	Square Feet
10 x 10	4' 6"	4	4	4	10'	8'	12' 6"	100'
15 x 15	6' 6"	4	4	4	15'	8'	14' 6"	225'
20 x 20	9'	4	4	4	20'	8'	17'	400'

Anchoring Requirements (Non-Certified Tents)

Non-certified tents are not engineered to meet specific wind loads. Wind loads are approximate and are generally rule of thumb calculations used in the industry based on actual field experience. Windload of a non-certified tent will vary to a maximum of approximately 30 to 50 mph dependent upon the style or type of tent. The structural integrity of the tent may exceed the soil's holding capacity even at wind loads of 30 mph to 50 mph.

Frame tents require approximately 1000 to 2000 lbs of holding power per anchor location (dependent on the style and size of tent). For safety of all occupants, evacuation is recommended if weather becomes severe.

Severe storms have micro bursts of wind that may be recorded far in excess of the storms highest winds. The installer is responsible for properly securing the temporary structure (tent). Soil conditions will vary and the wind loads that the temporary structure can handle could be significantly below its windload capabilities.

Tent Size	Sq. Ft.	PSI	Safety Factor	Anchor Locations	Holding Power Required at Each Anchor Location
10 x 10	100	960	1.5	4	240 lbs.*
15 x 15	225	2160	1.5	4	540 lbs.*
20 x 20	400	3840	1.5	4	960 lbs.*

* Holding power is based in good firm soil conditions. If other conditions prevail, the holding power will decrease and alternate anchoring methods are required.

□ □ □ □